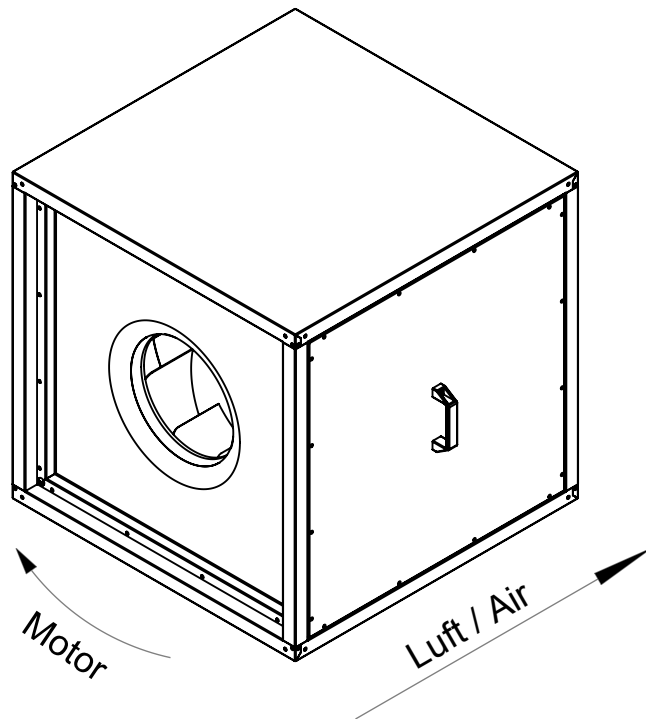


Anschlussmaß innen  
min.  $\phi$  430  
Connection size inside  
min.  $\phi$  430



**KUVENT**



Protection Mark  
according to ISO16016

1:16 A4 mm

General tolerances  
DIN ISO 2768-c

**KB 500-14**

Ventilair Group Belgium  
Pieter Verhaeghestraat 8  
8520 Kuurne

Drawn:  
Created:  
Changed:

18.11.16  
16.11.16  
18.11.16